

Telehealth Investment & Policy

SOUTH CAROLINA'S STRATEGIC ADVANTAGE

The State Budget

Over the last decade, the state has invested millions of dollars each year towards telehealth

In 2013 the General Assembly appropriated \$8 Million towards the SC Telemedicine Network

The legislature increased the annual state investment year after year through both MUSC and DHHS to a combined \$24 Million in state and federal funds by 2019

This year the SFY 23-24 Appropriation Act authorized just short of \$30 Million in state and federal funding for Telehealth



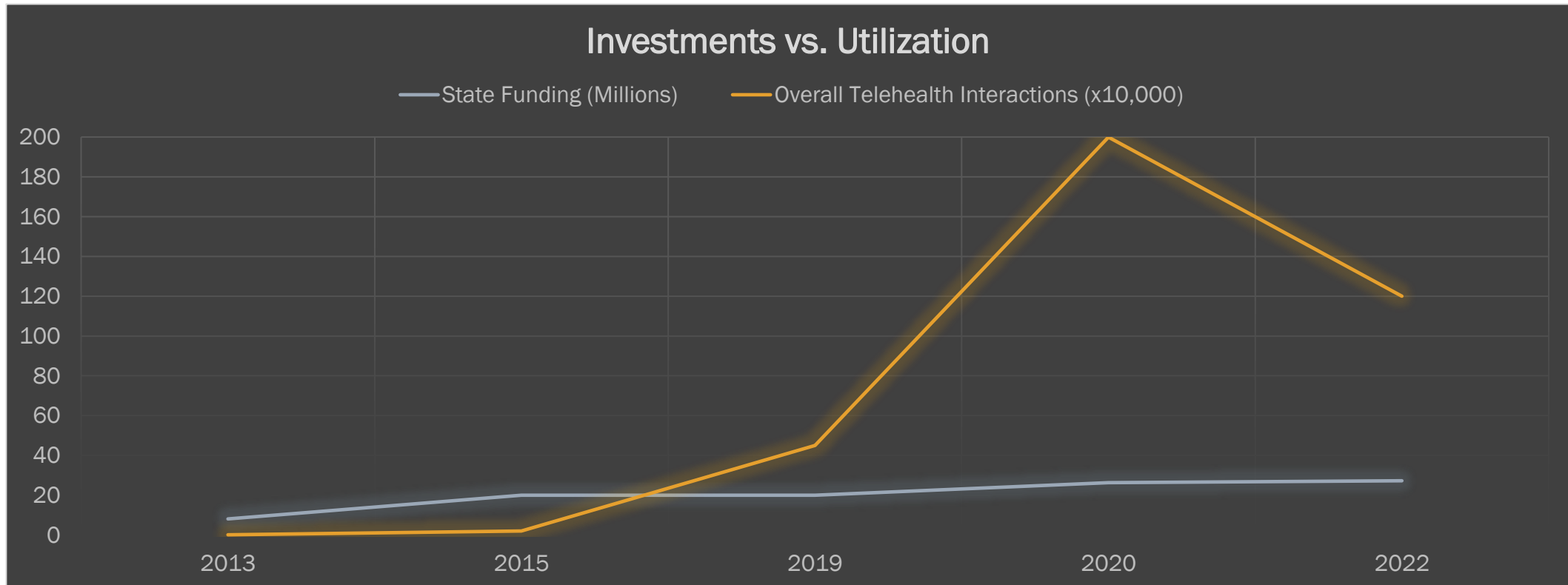
Investment
Enabled
Innovation

Innovation
Warrants Continued
Investment

SC Telehealth Program Highlights

- Telepsychiatry in Hospital EDs – started by DMH in partnership with SCHA in 2007, now in **27 different Hospitals** across the state available **18 hours/day, 365 days/year**
- Tele-stroke and Tele-neurology network – now covers 96% of SC, allowing every citizen in SC to seek expert stroke care in **less than 1 hour**
- Tele-ICU – allows for around the clock virtual monitoring of ICU patients across **46 supported hospitals** in 2022
- School based telehealth – available in **182 schools across 29 different counties** in SC
- School based tele-behavioral-health – MUSC now working with DHHS to address critical behavioral health needs of students

Overall Telehealth Interactions



Post-Pandemic Uncertainty

Utilization levels have dropped post-pandemic but still well above previous baseline

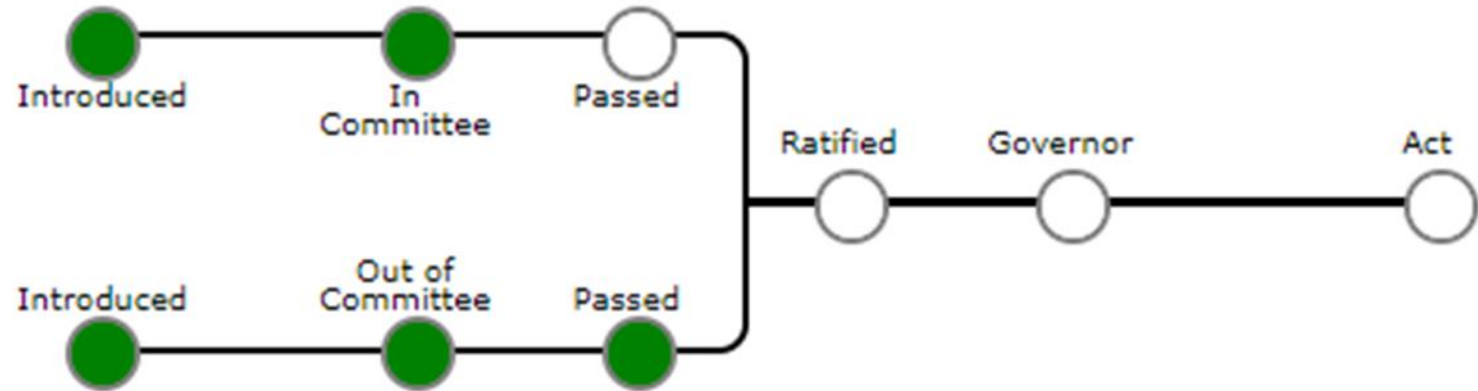
Most flexibilities authorized by the state and federal government were temporary and are set to expire in 2024

Many of the temporary flexibilities available today via DHHS for an additional year beyond the federal PHE for further evaluation

Current Policy Efforts - State

H.4159 – Telehealth and Telemedicine Modernization Act – Rep. Herbkersman

SC Senate >>



SC House >>

- Passed Unanimously by the House
- Referred to Senate Medical Affairs Committee
- Regulatory in nature, updating the 2016 Telemedicine Act

Current Policy Efforts – Federal

- Telehealth Modernization Act introduced by Sen. Tim Scott and others during the 117th congress
- Reintroduced with bipartisan support in March of 2023
- Would make permanent many of the Medicare flexibilities currently extended until December of 2024
- Could also have an impact on SC Medicaid telehealth flexibilities
- Ryan Haight Act – Temporary Rule through November 11, 2024

“A leader takes people where they want to go. A great leader takes people where they don’t necessarily want to go, but ought to be.”

- ROSALYNN CARTER

Telehealth Investment & Policy

SOUTH CAROLINA'S STRATEGIC ADVANTAGE